



Official WeChat

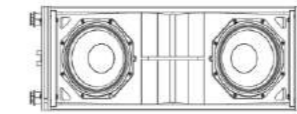
WEB: [www.verityaudio.fr](http://www.verityaudio.fr)  
ADD: No. 39 WenJiao Road East,  
HeShun, NanHai, FoShan, GD, China.

Verity audio catalogue 2017

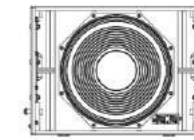


*Closer to Music!*

**IWAC208**  
Line array system  
(P1-P8)

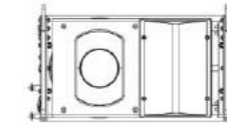


IWAC208

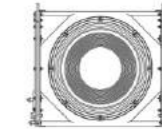


SUB118T

**IWAC210**  
Line array system  
(P9-P16)

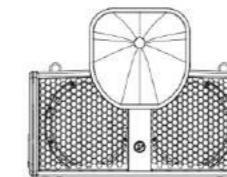


IWAC210

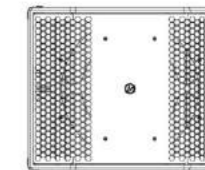


SUB115T

**MONSTER system**  
(P17-P22)



MONSTER212



MONSTER121S

**Ambience**  
(P23-P32)



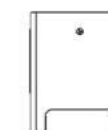
COL4.3



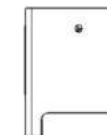
COL8.3



COL16.3

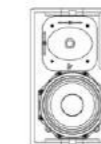


SUB210s

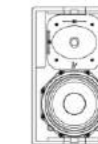


SUB212s

**Full range**  
(P33-P48)

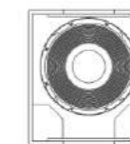


FS series

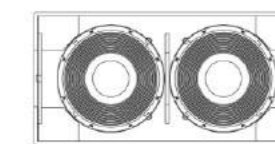


VOICE series

**SUB series**  
(P49-P52)



SUB118



SUB218

**Power amplifier**  
(P53-P56)



V2.07 V2.13 V2.20



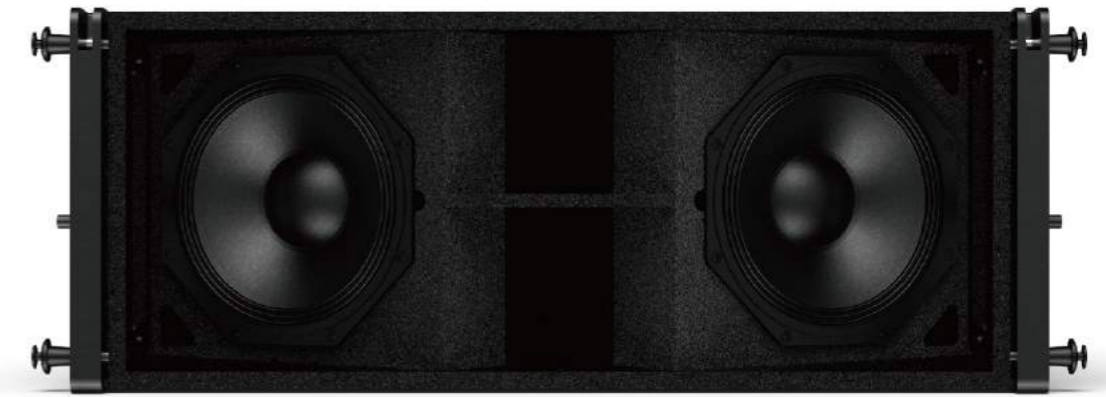
V2.08T



V4.25



IWAC208 TWO WAY COMPACT  
DUAL 8 INCH LINE ARRAY SYSTEM



## IWAC208

IWAC208 line array speaker designed with 2pc 8" bass driver and 2pcs 1.73" HF driver.

It has a very flat frequency response and simply rigging system. The Highest SPL can be up to 136dB, each cabinet can be easily used for Middle and small tour or events or fix installation in the theater etc.



Frequency response  
LF:70~4kHz HF:1.7k~18.5kHz



Power  
LF:400W / HF: 120W (AES)

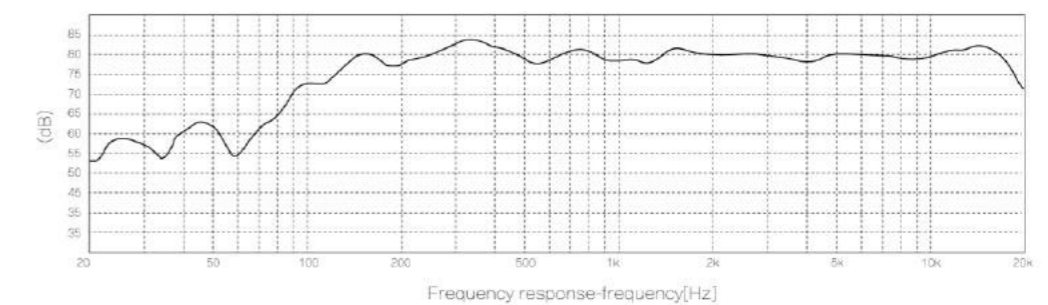


Maximum SPL  
>136dB(pink noise 1m 1box)



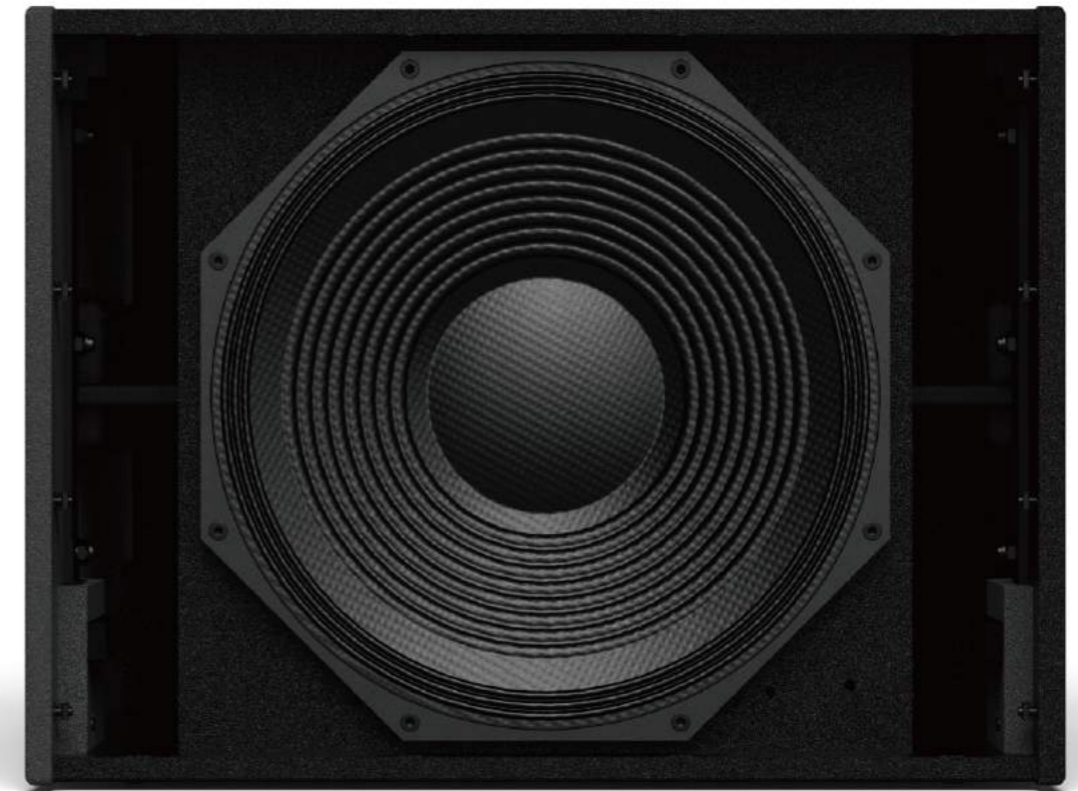
Nominal impedance  
LF: 16ohm / HF: 16 ohm

Frequency curve:Set Xover Point 2 kHz, Low Cut 100Hz, 24 dB/oct/LR,HF Set Gain to -12dB, No EQ, Delay for Free Space 4m Test.





IWAC208 LINE ARRAY SYSTEM  
SUBWOOFER – SUB118T



## SUB118T

SUB118T is a single 18inch bass speaker, designed to match with IWAC208. SUB118T applies bass reflex design and with a 2000W 8ohm bass driver which has a 6 inch voice coil can output very clean and deep bass. We suggest users should use Verity Audio V2.20 amp which can output 2000W at 8ohm to driver SUB118T for perfect sounding.



Frequency response  
29~1.5kHz(-10dB)



Power  
2000W (AES)

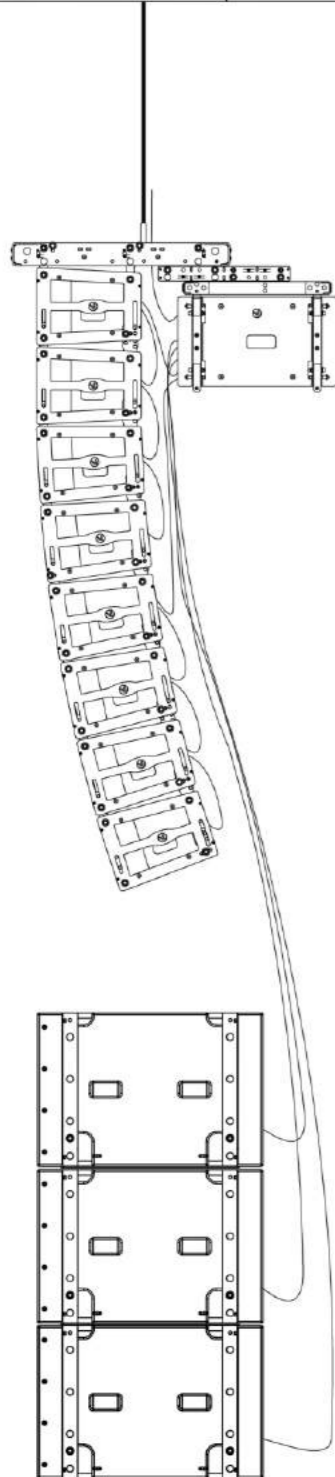


Maximum SPL  
> 136dB(pink noise 1m 1box)

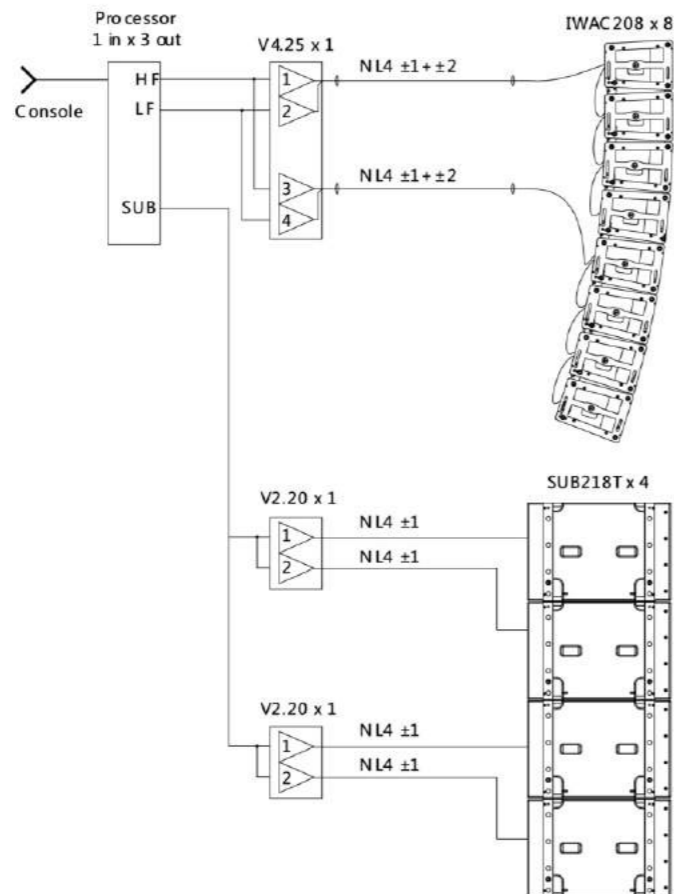


Nominal impedance  
8ohm

## IWAC208 system configurations

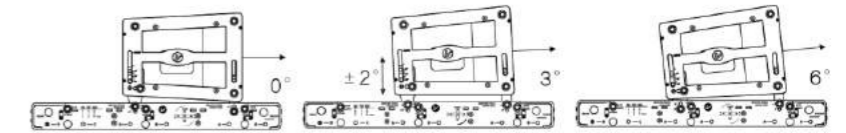


IWAC208 line-array system includes line-array speakers, hanging frames, amplifier rack and accessories. With a special amplifier rack can provide a very compact way to connect and use it, this amplifier rack can hang up with the line array together that will maximum shorten the speaker cables, save cost and reduce the transmission loss.



### ① Stack Installation

IWAC208 and SUB118T can be stacked on the floor for installation with Flying Frame, making the whole system work stably and safely. To achieve different radiation angles by adjusting the angles between the two cabinets.

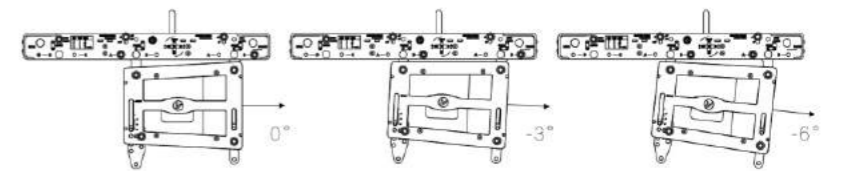


..... More radiation angles can be selected.



### ② Hanging Installation

In the same way, SUB118T and IWAC208 can be hanged by Flying Frame, even more, adjusting a number of radiation angles.



..... More radiation angles can be selected.

## 🔊 IWAC208 specifications

### 🔊 Acoustics

Power(100~20kHz )	LF:400W / HF: 120W (AES)
Program power(100~20kHz )	LF: 800W / HF: 240W
Nominal impedance	LF: 16ohm / HF: 16 ohm
Frequency Range	LF:70~4kHz HF:1.7k~18.5kHz
Frequency response	80~18.5kHz(-10dB)
Sensitivity	LF: 98dB; HF: 108dB
Maximum SPL	> 136dB(pink noise 1m 1box)
Horizon	106°
Vertical	6° (1box)
LF driver	2x 8" Neodymium driver
Voice coil	2"(52mm)
HF driver	2x1.73" driver
Voice coil	1.73"(44mm)
Exit	1" (25.5mm)

### 🔌 Connector

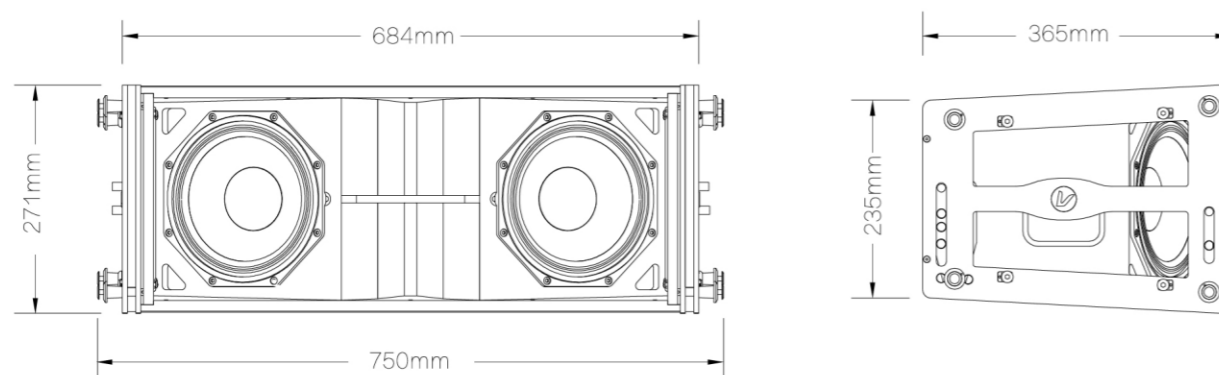
2xNEUTRIK® NL4 SPEAKON® parallel LF; ±1 Hf; ±2

### 📦 Cabinet

CNC made 15mm birch wood sandy wear-resisting environmental polyurea spray paint

### 🔧 Hanging side frame

Laser processing steel plate joining together with black paint Have 8PCS Ø10stainless steel push-pin Angle is not adjustable



N.W/G.W 28.5kg / 33.3kg

Product / Package Dimensions W684xH271xD365mm / W850xH370xD470mm

## 🔊 SUB118T specifications

### 🔊 Acoustics

Power	2000W (AES)
Program power	4000W
Nominal impedance	8ohm
Frequency Range	29~1.5kHz(-10dB)
Sensitivity	95dB
Maximum SPL	> 136dB(pink noise 1m 1box)
Driver	18" Carbon fiber cone ferret driver
Voice coil	6"(52mm)

### 🔌 Connector

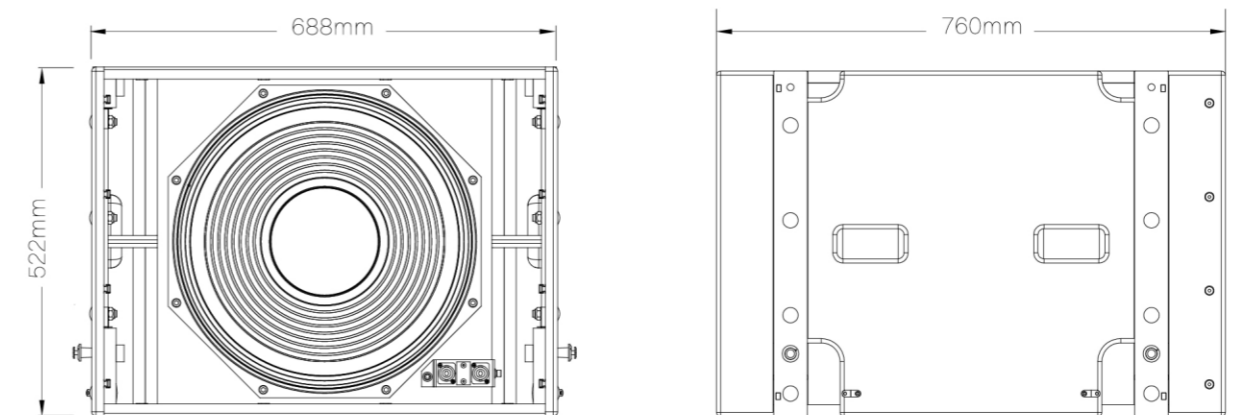
2xNEUTRIK® NL4 SPEAKON® parallel LF; ±1 Hf; ±2

### 📦 Cabinet

CNC made 18mm birch wood sandy wear-resisting environmental polyurea spray paint

### 🔧 Hanging side frame

Laser processing steel plate joining together with black paint have 4PCS Ø8 stainless steel push-pin Angle is not adjustable



N.W/G.W 80.8kg / 89.8kg

Product / Package Dimensions W688xH522xD760mm/ W910xH670xD840mm



IWAC210 TWO COMPACT  
SINGLE 10 INCH LINE ARRAY SYSTEM



## IWAC210

IWAC210 line array speaker designed with 1pc 10inch bass driver and 2pcs 1.73inch HF driver. It has a very flat frequency response and simply rigging system. The Highest SPL can be up to 136dB, each cabinet can be easily used for Middle and small tour or events or fix installation in the theater etc.



Frequency response  
LF:70~4kHz HF:1.7k~18.5kHz



Power  
LF:600W / HF: 120W (AES)

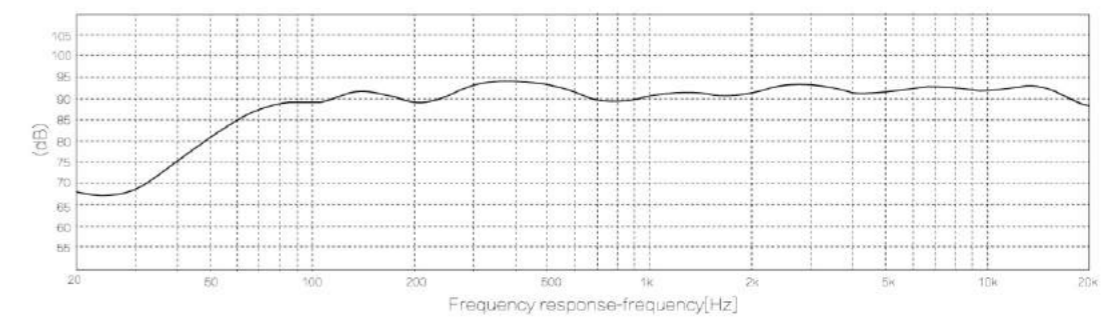


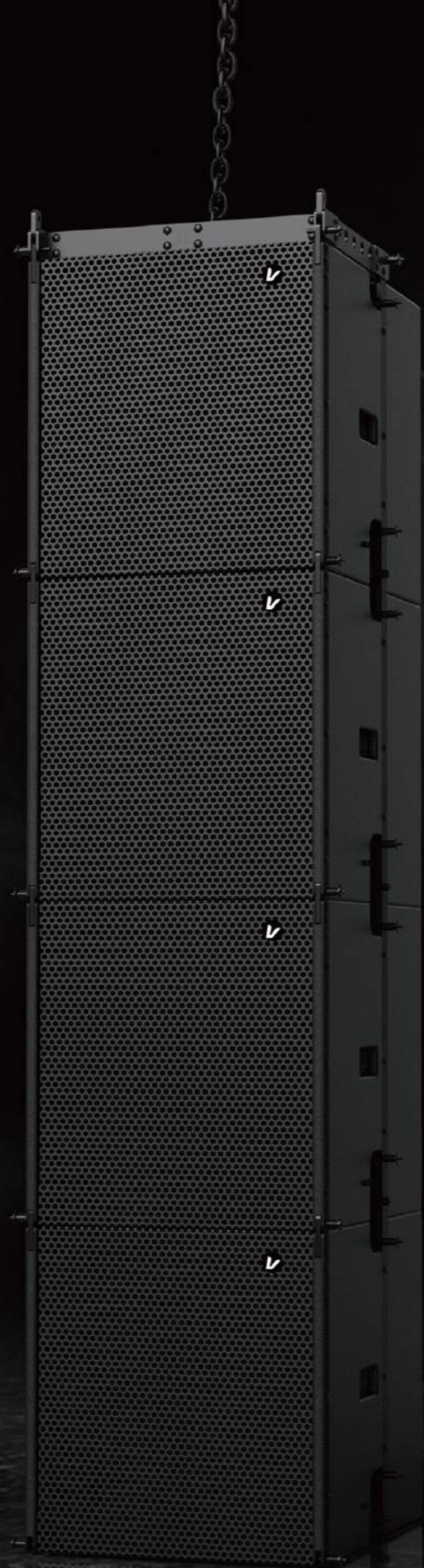
Maximum SPL  
>136dB(pink noise 1m 1box)



Nominal impedance  
LF: 8 ohm / HF: 16 ohm

Frequency curve:Set Xover Point 2 kHz, Low Cut 100Hz, 24 dB/oct/LR,HF Set Gain to -12dB, No EQ, Delay for Free Space 4m Test.





IWAC210 LINE ARRAY SYSTEM  
SUBWOOFER—SUB 115T



## SUB 115T

SUB115T is a single 15inch bass speaker, designed to match with IWAC210. SUB-115T applies bass reflex design and with a 2000W 8ohm bass driver which has a 6 inch voice coil can output very clean and deep bass. We suggest users should use Verity Audio V2.20 amp which can output 2000W at 8ohm to driver SUB115T for perfect sounding.



Frequency response  
35~500Hz(-10dB)



Power  
2000W (AES)



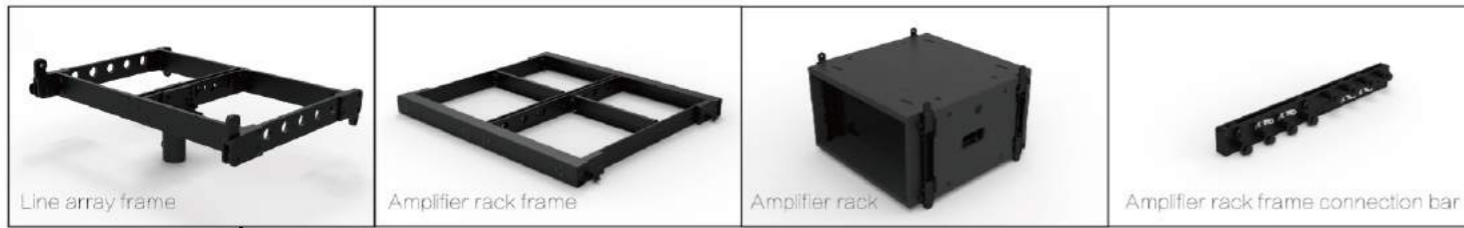
Maximum SPL  
>136dB(pink noise 1m 1box)



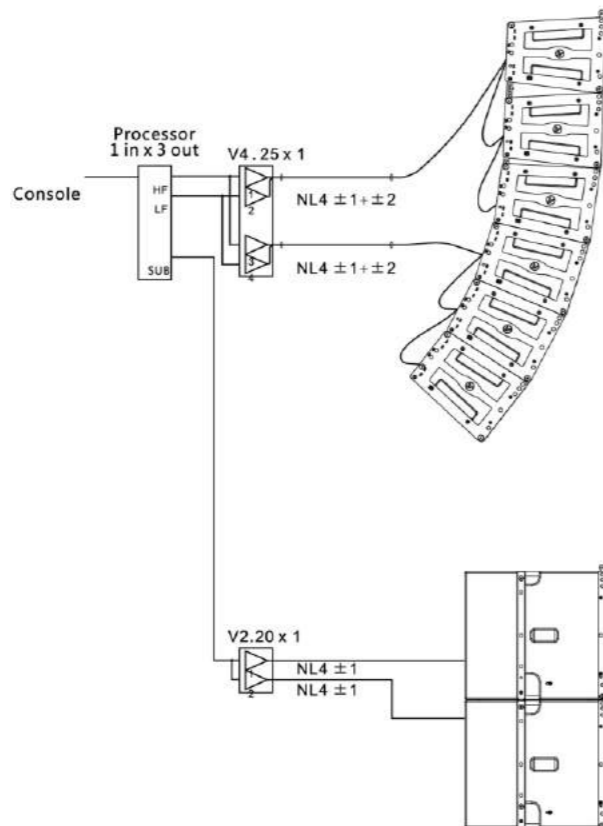
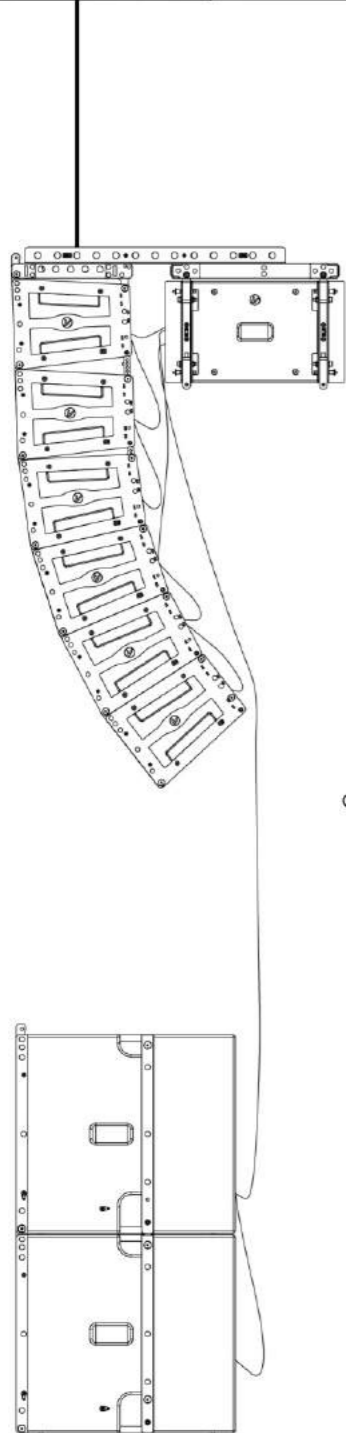
Nominal impedance  
8ohm



### IWAC210 system configurations



IWAC210 line-array system includes line-array speakers, hanging frames, amplifier rack and accessories. With a special amplifier rack can provide a very compact way to connect and use it, this amplifier rack can hang up with the line array together that will maximum shorten the speaker cables, save cost and reduce the transmission loss.



① Hanging Installation



② Stack Installation



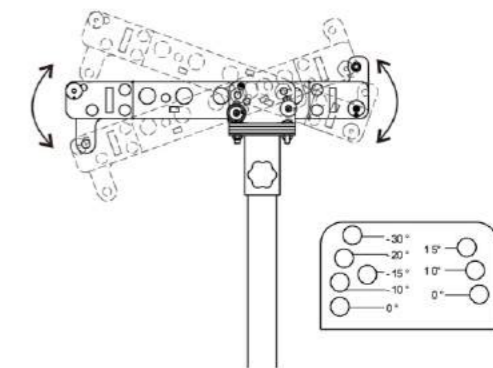
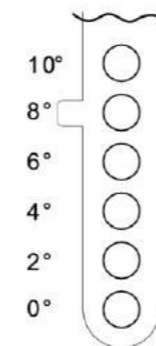
③ Support pole installation



### Adjust the radiation angle

① Two IWAC210 provide 6 bolt hole, including 0°, 2°, 4°, 6°, 8° and 10° to adjust the radiation angle.

② The IWAC210 supporting bracket can meet the needs of different radiation angles through the angle holes.



## 🔊 IWAC210 specifications

### 🔊 Acoustics

Power(100~20kHz )	LF:600W / HF: 120W (AES)
Program power(100~20kHz )	LF: 1200W / HF: 240W
Nominal impedance	LF: 8 ohm / HF: 16 ohm
Frequency Range	LF:70~4kHz HF:1.7k~18.5kHz
Frequency response	80~18.5kHz(-10dB)
Sensitivity	LF: 98dB; HF: 108dB
Maximum SPL	> 136dB(pink noise 1m 1box)
Horizon	110°
Vertical	10° (1box)
LF driver	1x 10inch Neodymium driver
Voice coil	2*(52mm)
HF driver	2x1.73" driver
Voice coil	1.73*(44mm)
Exit	1" (25.5mm)

### 🔌 Connector

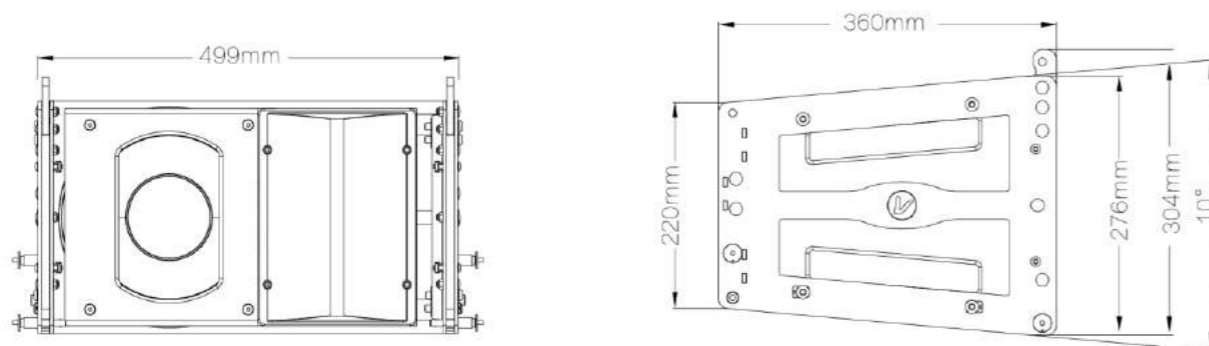
2xNEUTRIK® NL4 SPEAKON® parallel LF: ±1 Hf: ±2

### 📦 Cabinet

CNC made 15mm birch wood sandy wear-resisting environmental polyurea spray paint

### 🔧 Hanging side frame

Laser processing steel plate joining together with black paint Have 4PCS Ø8 stainless steel push-pin Angle is not adjustable



N.W/G.W 23.6kg / 27.2kg

Product / Package Dimensions W499xH304xD360mm/ W600xH390xD465mm

## 🔊 SUB115T specifications

### 🔊 Acoustics

Power	2000W (AES)
Program power	4000W
Nominal impedance	8ohm
Frequency Range	35~500 Hz(-10dB)
Sensitivity	93dB
Maximum SPL	> 136dB(pink noise 1m 1box)
Driver	15" Carbon fiber cone ferret driver
Voice coil	6"(52mm)

### 🔌 Connector

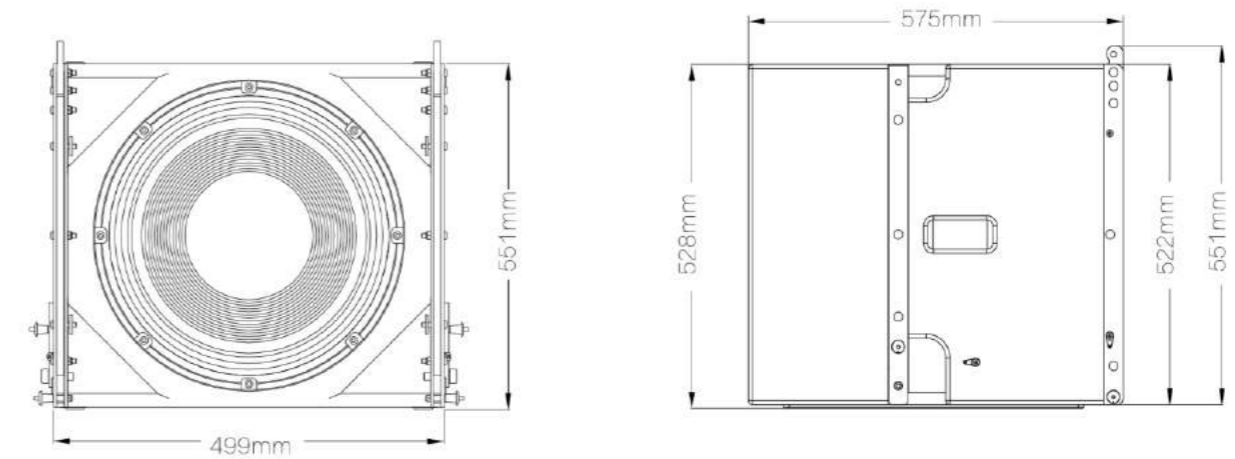
2xNEUTRIK® NL4 SPEAKON® parallel LF: ±1 Hf: ±2

### 📦 Cabinet

CNC made 18mm birch wood sandy wear-resisting environmental polyurea spray paint

### 🔧 Hanging side frame

Laser processing steel plate joining together with black paint have 4PCS Ø8 stainless steel push-pin Angle is not adjustable



N.W/G.W 51.7kg / 60.5kg

Product / Package Dimensions W499xH551xD575mm/ W620xH660xD685mm

# MONSTER SYSTEM

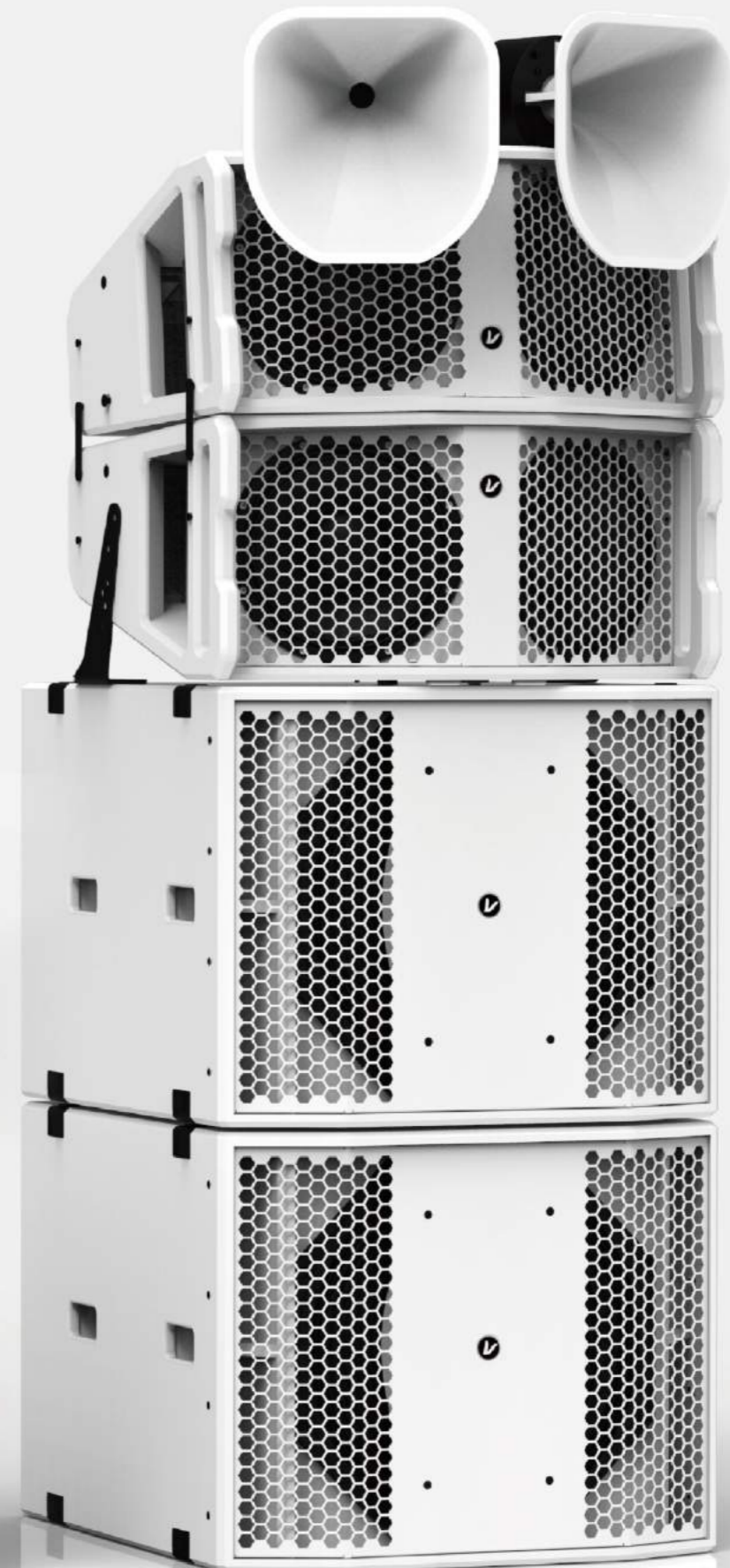
Lead the new trend of the electronic level of super high pressure audio system



MONSTER212



MONSTER121S



MONSTER TOWER



## MONSTER TOWER

Stacking with 2pcs double 12" Monster212 and 2pcs Monster121S.



**156dB instantaneous maximum sound pressure level.**

Monster tower at 15 meters away from the free space to reach 155dB instantaneous maximum sound pressure level.



**Scientific acoustics design**

Monster tower is two meters high after stacking. The bass wall make up of double 12" middle bass and double 21" ultra bass to surround the people;

The high pitch horn of Monster tower is asymmetric horn design for middle near field that the upper vertical axis is  $50^\circ$  , the lower vertical axis is  $90^\circ$  and the horizontal angle is  $70^\circ$  . This particular design is a good solution to the coverage technology issues in near field and the far field which is the maximum guarantee of the sound field coverage. ;

Monster tower system use the bass is a single 21" unit, the output power is 2000W@4ohm and It' s effective low frequency limit for the amazing of 25Hz! Please enjoy being surrounded by the Monster tower system from surging feeling!



**Best choice for the super bar**

Now, the popular mode is single 12" plus single 18" uniform distribution or line array hanging bar sound system. And our program is 2 to 4 sets of Monster tower stacked which achieve the target that sound field is very good, the phase is simple, the installation is convenient, and high cost-effective.

 MONSTER212 specifications

 Acoustics

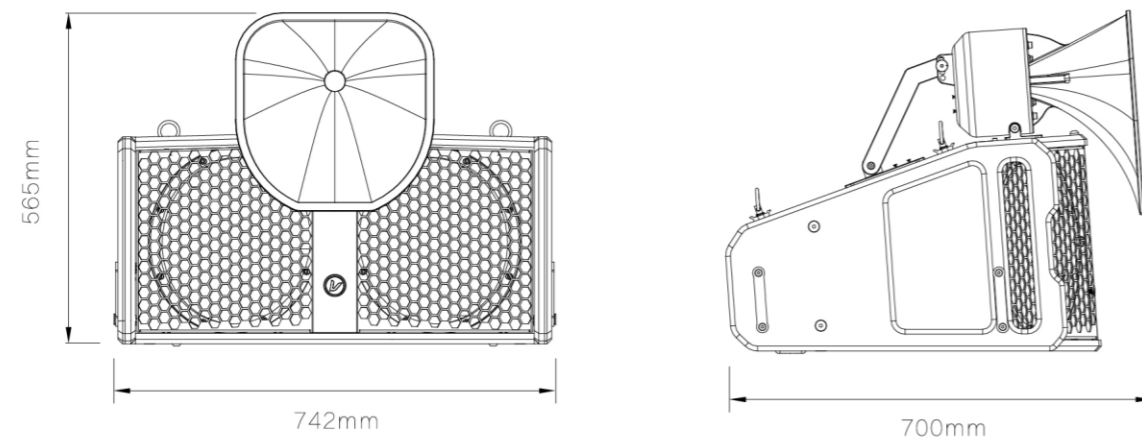
Power	1400W (AES)
Program power	2800W
Nominal impedance	4 ohm
Frequency response	45~19kHz(-10dB)
Sensitivity	100dB/W/m
Maximum SPL	> 139dB
Horizon	70°
Vertical	up: 50° down: 90°
LF driver	2x12"Neodymium driver
Voice coil	4"
HF driver	2x1.4"driver
Voice coil	2.56"

 Connector


2只 NEUTRIK® speaker NL4(±2 input)

 Cabinet

18mm birch plywood



N.W/G.W 35kg  
Product Dimensions W742xH565xD700mm

 MONSTER121S specifications

 Acoustics

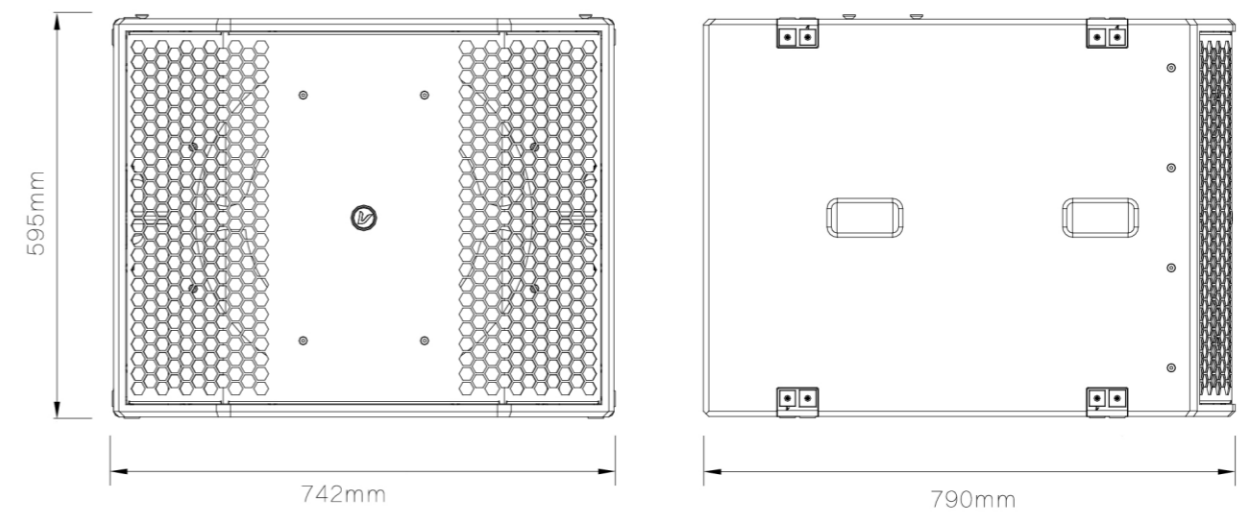
Power	2000W (AES)
Program power	4000W
Nominal impedance	4 ohm
Frequency response	25~1kHz(-10dB)
Sensitivity	98dB/m/W
Maximum SPL	> 137dB
Driver	1x21"driver
Voice coil	6"

 Connector

2只 NEUTRIK® speaker NL4(±1 input ±2 link)

 Cabinet

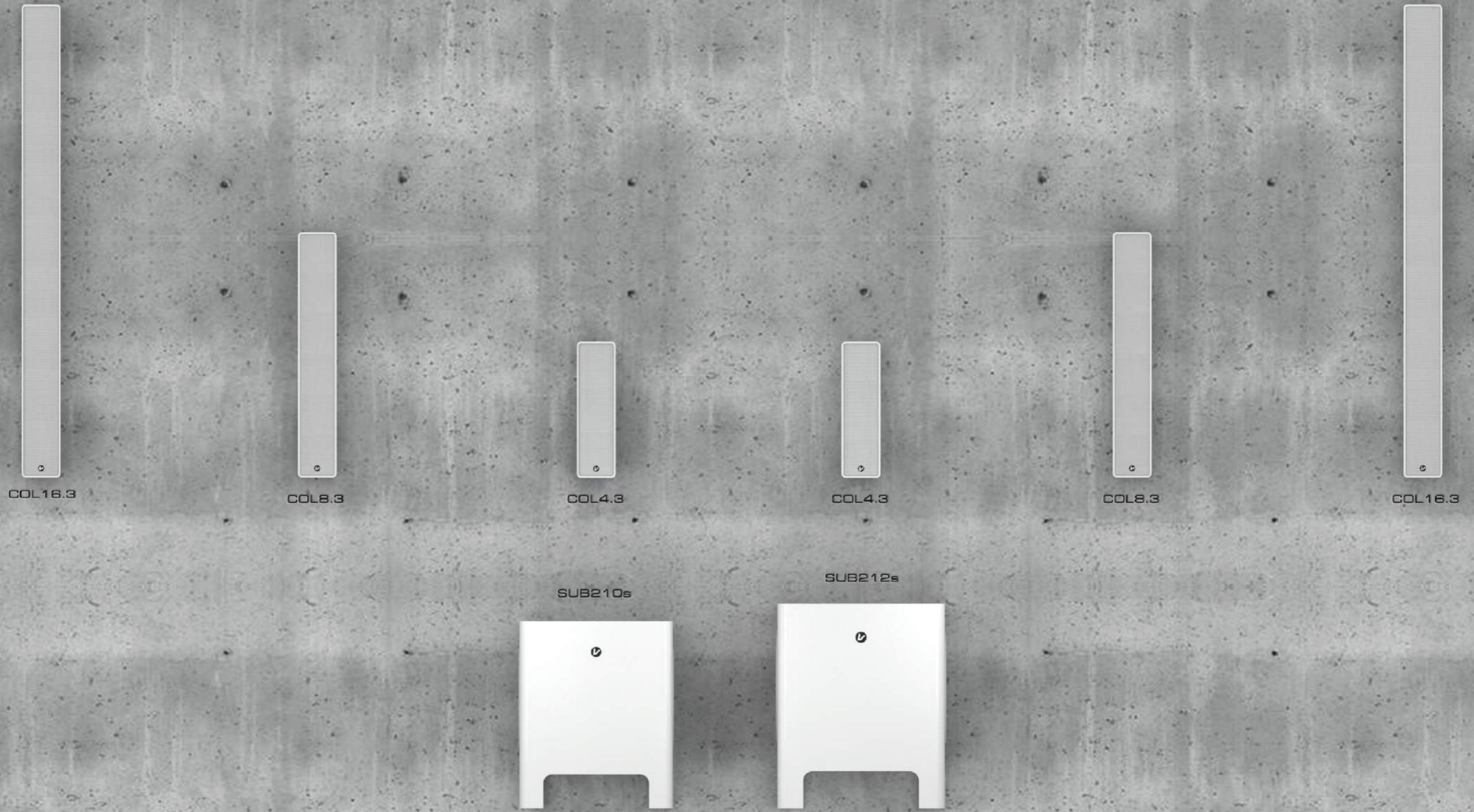
18mm birch plywood



N.W/G.W 70kg  
Product Dimensions W742xH595xD790mm

# Natural Compact Powerful!

Verity audio *AMBIENCE* column system





Full frequency line array unit



COL4.3



COL8.3



COL16.3

# S

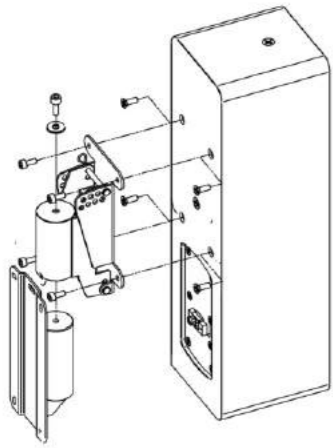
SUB210s and SUB212s double unit  
symmetrical installation



## ✂ Installation Application (For example COL4.3)

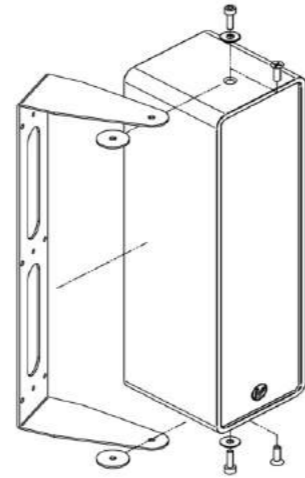
### ① Wall-hanging installation

Achieve sound beam angle in horizontal and vertical way by customized Wall-hanging accessories of which can adjust angles. This is the most suitable way to install sound column. (Wall-hanging is optional accessory)



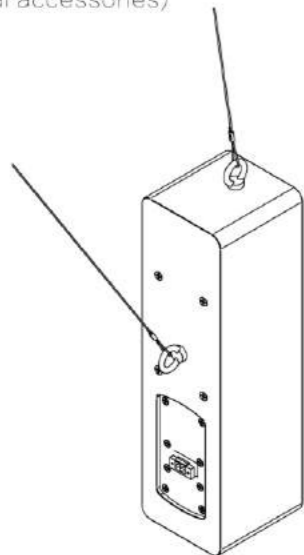
### ② U-shape bracket installation

U-shape bracket can be installed on the top and bottom of two M6 Flat head screws. Through adjusting the horizontal angle to change the Sound beam direction of sound column (U-shape bracket is optional accessory)



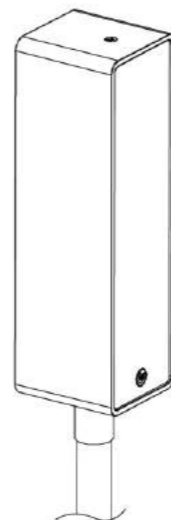
### ③ Cable hanging installation

Replacing two flat head screws on the top and back by two M6 rings bolts. Adjusting the length of the rope to Adjust the tilt angle. (Rings are optional accessories)



### ④ Support pole installation (Only for COL4.3 and COL8.3)

With 35mm support holder and support pole, COL series can achieve supporting installation. (Support pole is optional accessory)



## 🔊 COL4.3 specifications

### 🔊 Acoustics

Power	120W (AES)
Program power	240W
Nominal impedance	8 ohm
Frequency response	170Hz-13.5kHz (-6dB)
Sensitivity	99dB 1W/1m half space
Maximum SPL	> 126dB
Horizon	120° ±30° 800Hz-5kHz, 60° ±10° 6kHz-16kHz
Vertical	20° ±5° 2.5kHz-8kHz, 40° ±25° 1kHz-13.5kHz
Driver	4 x 3" Full Range European Ferrite driver
Voice coil	0.75"

### 🔌 Connector

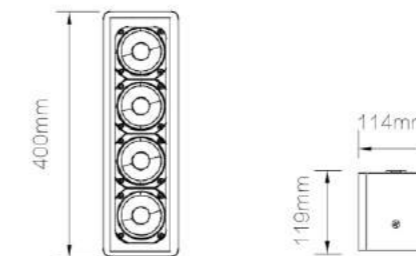
1x Euroblock (Phoenix connector) 42A rated with locking screws

### 📦 Cabinet

CNC made 12mm MDF, smooth non glossy white painting

### 💡 Hanging side frame

- Flying: · 2 M6 insertion points on top and rear for eye bolts
- Wall: · 4 M5 insertion points on rear face for swivel-tilting wall/pole bracket  
· 2 M6 insertion points on top and bottom for "U" bracket
- Pole: · 2 M4 insertion points on bottom face for pole adaptor



N.W/G.W 3kg / 4.8kg

Product / Package Dimensions W114xH400xD119mm/ W160xH500xD170mm



## COL8.3 specifications

### Acoustics

Power	240W (AES)
Program power	480W
Nominal impedance	4 ohm
Frequency response	10° setting: 180Hz-16kHz (-6dB) 20° setting: 180Hz-13kHz (-6dB)
Sensitivity	101dB 1W/1m half space
Maximum SPL	> 131dB
Horizon	120° ±30° 800Hz-5kHz, 50° ±15° 6kHz-16kHz
Vertical	10° setting: 10° ±5° 2kHz-16kHz 20° setting: 20° ±5° 1.3kHz-16kHz
Driver	8x 3" Full Range European Ferrite driver
Voice coil	0.75"

### Connector

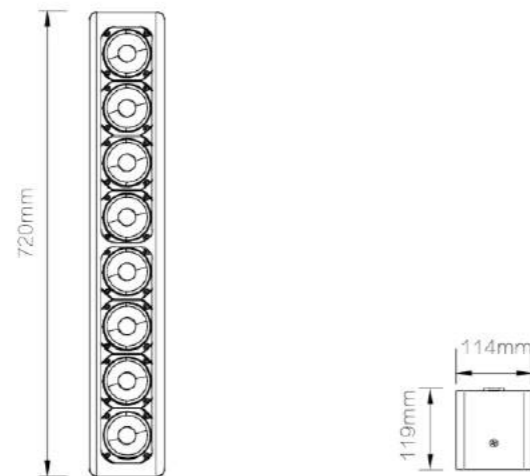
1x Euroblock (Phoenix connector) 42A rated with locking screws

### Cabinet

CNC made 12mm MDF, smooth non glossy white painting

### Hanging side frame

- Flying: · 2 M6 insertion points on top and rear for eye bolts
- Wall: · 4 M5 insertion points on rear face for swivel-tilting wall/pole bracket  
2 M6 insertion points on top and bottom for "U" bracket
- Pole: · 2 M4 insertion points on bottom face for pole adaptor



N.W/G.W 5kg / 8kg

Product / Package Dimensions W114xH720xD119mm/ W160xH810xD170mm

## COL16.3 specifications

### Acoustics

Power	480W (AES)
Program power	960W
Nominal impedance	4 ohm
Frequency response	20° setting:180Hz-13kHz (-6dB) 30° setting:180Hz-14kHz (-6dB)
Sensitivity	103dB 1W/1m half space
Maximum SPL	> 136dB
Horizon	120° ±30° 800Hz-5kHz, 50° ±15° 6kHz-16kHz
Vertical	20° setting:20° ±5° 600Hz-10kHz 30° setting:30° ±5° 400Hz-15kHz
Driver	16 x 3" Full Range European Ferrite driver
Voice coil	0.75"

### Connector

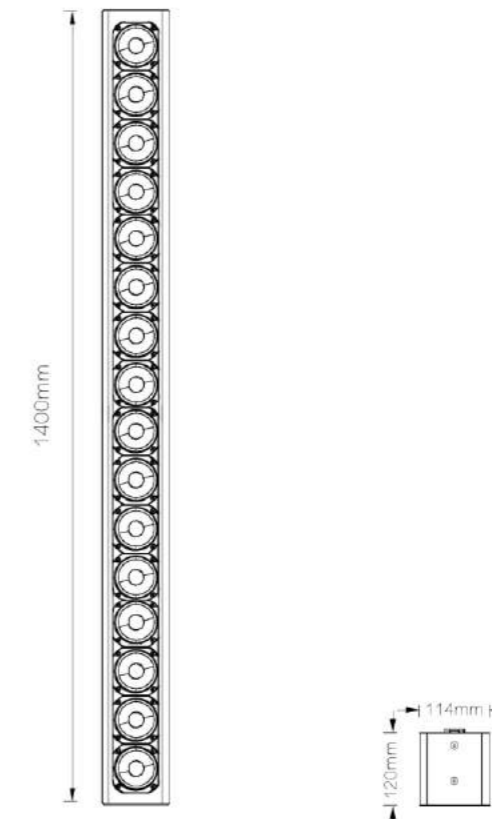
1x Euroblock (Phoenix connector) 42A rated with locking screws

### Cabinet

CNC made 12mm MDF, smooth non glossy white painting

### Hanging side frame

- Flying: · 2 M6 insertion points on top and rear for eye bolts
- Wall: · 4 M5 insertion points on rear face for swivel-tilting wall/pole bracket  
2 M6 insertion points on top and bottom for "U" bracket
- Pole: · 2 M4 insertion points on bottom face for pole adaptor



N.W/G.W 10.6kg

Product Dimensions W114xH1400xD120mm

## 🔊 SUB210s specifications

### 🔊 Acoustics

Power	800W (AES)
Program power	1600W
Nominal impedance	4 ohm
Frequency response	38Hz-500Hz (-6dB)
Sensitivity	96dB 1W/1m half space
Maximum SPL	> 131dB
driver	2 x 10" Full Range European Ferrite driver
Voice coil	2.5"

### 🔌 Connector

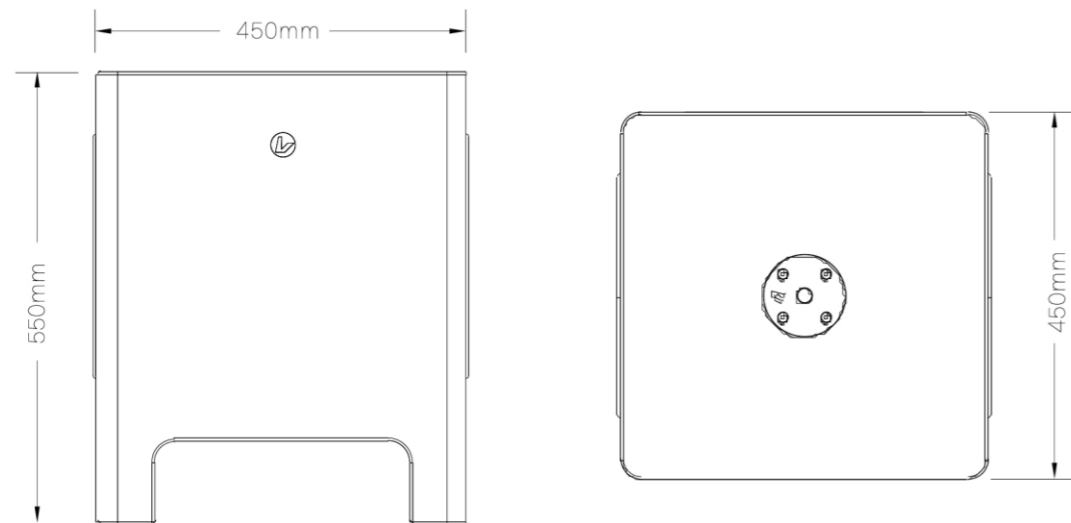
1x Euroblock (Phoenix connector) 42A rated with locking screws

### 📦 Cabinet

CNC made 18mm MDF, smooth non glossy white painting

### 🔧 Hanging side frame

M20 threaded insert on top for pole assembly



N.W/G.W 36kg / 42kg

Product / Package Dimensions W450xH550xD450mm/ W660xH590xD560mm

## 🔊 SUB212s specifications

### 🔊 Acoustics

Power	800W (AES)
Program power	1600W
Nominal impedance	4 ohm
Frequency response	35Hz-500Hz (-6dB)
Sensitivity	97dB 1w/1m half space
Maximum SPL	> 132dB
driver	2 x 12" Full Range European Ferrite driver
Voice coil	2.5"

### 🔌 Connector

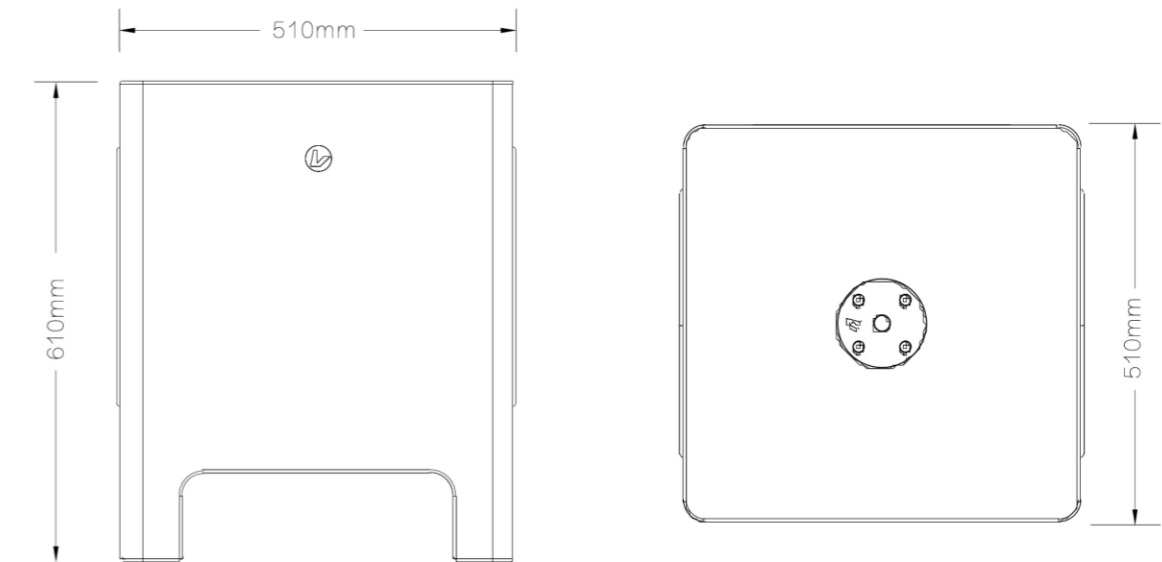
1x Euroblock (Phoenix connector) 42A rated with locking screws

### 📦 Cabinet

CNC made 18mm MDF, smooth non glossy white painting

### 🔧 Hanging side frame

M20 threaded insert on top for pole assembly



N.W/G.W 42kg / 48kg

Product Dimensions W510xH610xD510mm

FS series



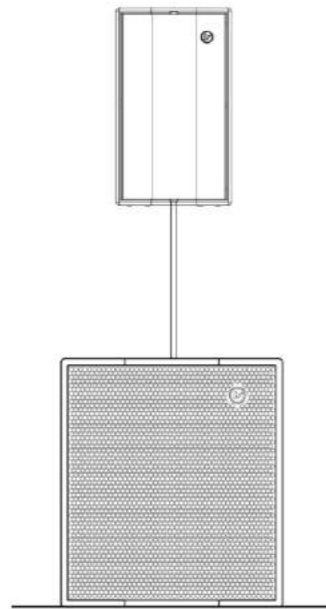
## Structure Illustrations



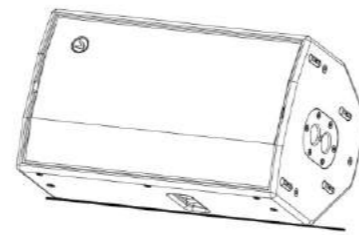
## Installation Application



Hanging Installation



Support pole installation



Monitor Installation

Acoustics	FS10	FS12
Power	320W (AES)	450W (AES)
Program power	640W	900W
Nominal impedance	8 ohm	8 ohm
Frequency response	55~20kHz	50~22kHz
Sensitivity	98dB/W/m(wideband 200~16000Hz)	98dB/W/m(wideband 200~16000Hz)
Maximum SPL	> 125dB	> 127dB
Horizon	80° above 1500Hz	80° above 1500Hz
Vertical	50° above 1500Hz	50° above 1500Hz
LF driver	1X10" Custom made European driver	1X12" Custom made European driver
Voice coil	2.5"	3"
HF driver	1X1" Custom made European driver	1X1" Custom made European driver
Voice coil	1.7"	1.7"
Connector	2R NEUTRIK® NL4MP(1+/1-Link,2+/2-Input&Link)	
Cabinet	CNC made 15mm birch wood sandy wear-resisting environmental polyurea spray paint	
Hanging side frame	14xM8 flying points	
N.W/G.W	18kg / 23kg	19kg / 24kg
Product Dimensions	W330xH560xD342mm	W356xH600xD370mm

Acoustics	FS15
Power	500W (AES)
Program power	1000W
Nominal impedance	8 ohm
Frequency response	42~18kHz
Sensitivity	99dB/W/m(wideband 200~16000Hz)
Maximum SPL	> 131dB
Horizon	70° above 1500Hz
Vertical	50° above 1500Hz
LF driver	1X15" Custom made European driver
Voice coil	3"
HF driver	1X1.4" Custom made European driver
Voice coil	3"
Connector	2R NEUTRIK® NL4MP(1+/1-Link,2+/2-Input&Link)
Cabinet	CNC made 18mm birch wood sandy wear-resisting environmental polyurea spray paint
Hanging side frame	14xM8 flying points
N.W/G.W	28kg / 34kg
Product Dimensions	W445xH730xD425mm

VOICEv series



VOICE 12x

VOICE 15x

VOICE 10x



VOICEEv series is special design for reinforcement of KTV and entertainment applications.

The tune is a biological tissue sound. Tune sounds with specific frequency response curve which is different from other musical Instruments. And VOICEEv series is a frequent speaker for this specific frequency response curve and optimization development.

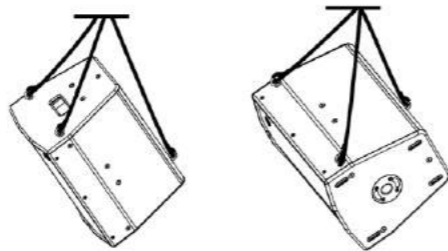
The development products for KTV, VOICEEv series can delicately restore each frequency's voice of tune, loud and gentle, not harsh. In addition, VOICEEv series has BOOST (Voice enhancement mode) mode and FLAT (Normal mode) mode for your selection.

The whole box has 20 M8 hanging points for convenient hanging using for different scenarios. Also you can choose different levels of vertical radiation angle according to your need because of high frequency horn rotation design.

## Install & application

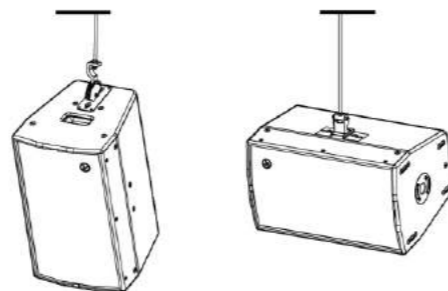
### Install speaker with flying ring

Through the holes, with rings, can safely and stably adjust the angle you need.



### Install speaker with bracket

Through the holes, with hanging accessories, can safely and stably adjust the angle you need.



## VOICE10v specifications

### Acoustics

Power	250W (AES)
Program power	500W
Nominal impedance	8 ohm
Frequency response	50~18kHz(-10dB)
Sensitivity	96dB/W/m
Maximum SPL	> 127dB
Horizon	80°
Vertical	50°
LF driver	1X10" Custom made European driver
Voice coil	2"
HF driver	Custom made European driver
Voice coil	1.73"

### Connector

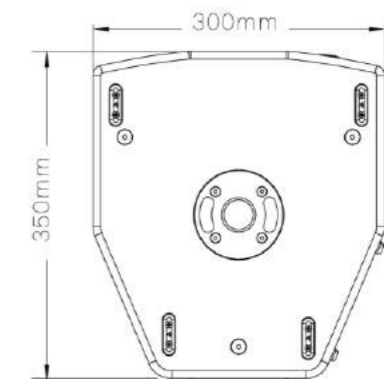
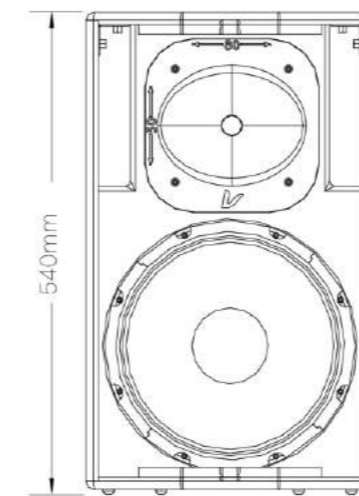
2只 NEUTRIK® NL4MP(1+/1-Link,2+/2-Input&Link)

### Cabinet

CNC made 15mm birch wood sandy wear-resisting environmental polyurea spray paint

### Hanging side frame

20xM8 flying points



Product Dimensions W300xH540xD350mm

## VOICE12v specifications

### Acoustics

Power	450W (AES)
Program power	900W
Nominal impedance	8 ohm
Frequency response	50~18kHz(-10dB)
Sensitivity	99dB/W/m
Maximum SPL	> 133dB
Horizon	80°
Vertical	50°
LF driver	1X12" Custom made European driver
Voice coil	3"
HF driver	Custom made European driver
Voice coil	1"

### Connector

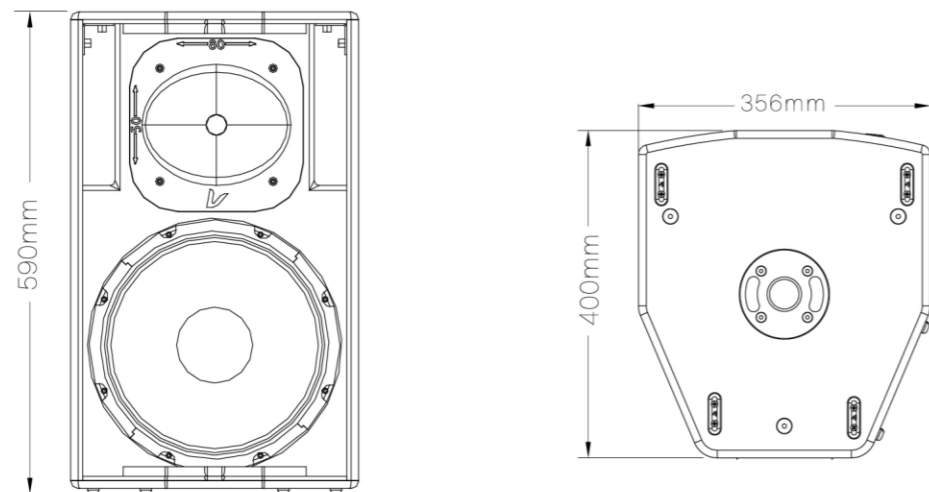
2只 NEUTRIK® NL4MP(1+/1-Link,2+/2-Input&Link)

### Cabinet

CNC made 15mm birch wood sandy wear-resisting environmental polyurea spray paint

### Hanging side frame

20xM8 flying points



N.W/G.W 17.5kg / 21.1kg

Product / Package Dimensions W356xH590xD400mm/ W500xH700xD465mm

## VOICE15v specifications

### Acoustics

Power	500W (AES)
Program power	1000W
Nominal impedance	8 ohm
Frequency response	42~19kHz(-10dB)
Sensitivity	99dB/W/m
Maximum SPL	> 133dB
Horizon	80°
Vertical	50°
LF driver	1X15" Custom made European driver
Voice coil	3"
HF driver	Custom made European driver
Voice coil	1.73"

### Connector

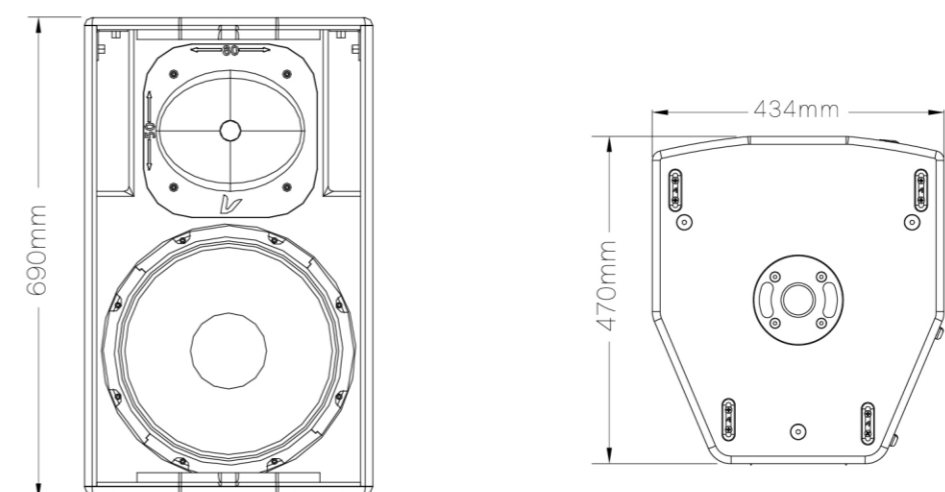
2只 NEUTRIK® NL4MP(1+/1-Link,2+/2-Input&Link)

### Cabinet

CNC made 18mm birch wood sandy wear-resisting environmental polyurea spray paint

### Hanging side frame

20xM8 flying points

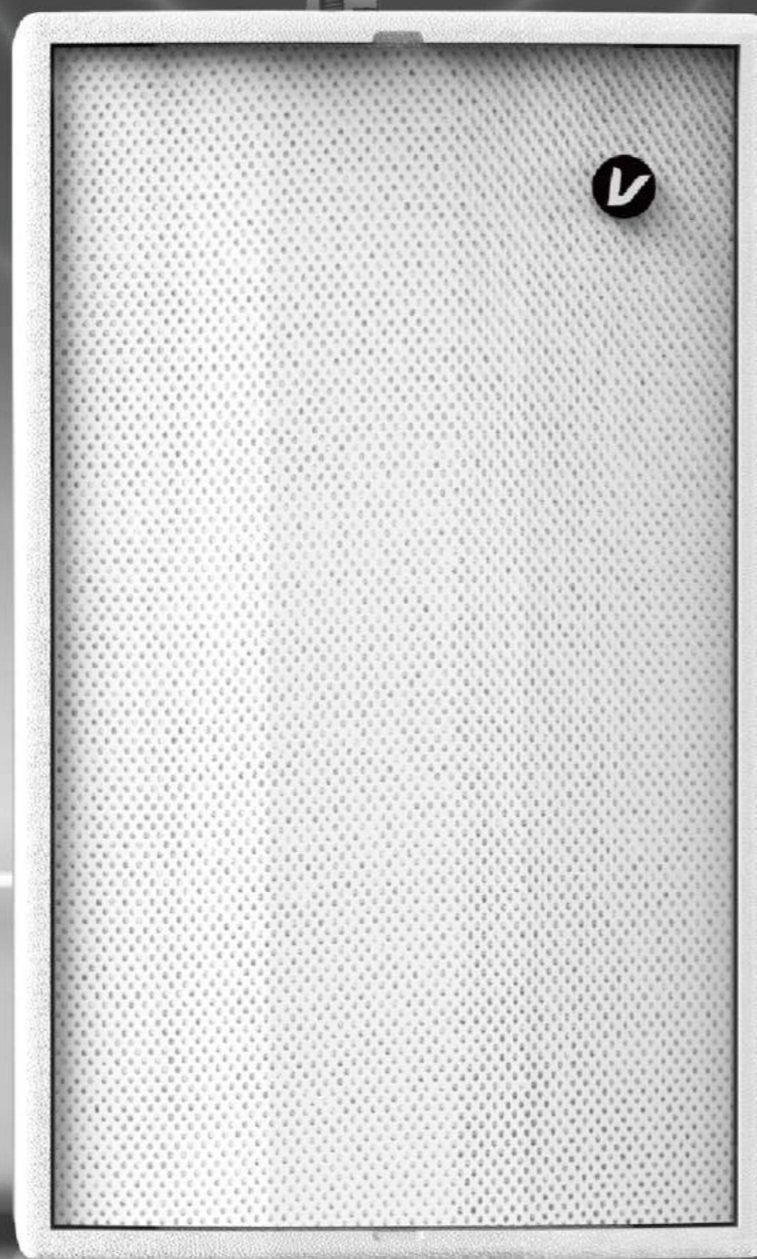


Product Dimensions W434xH690xD470mm

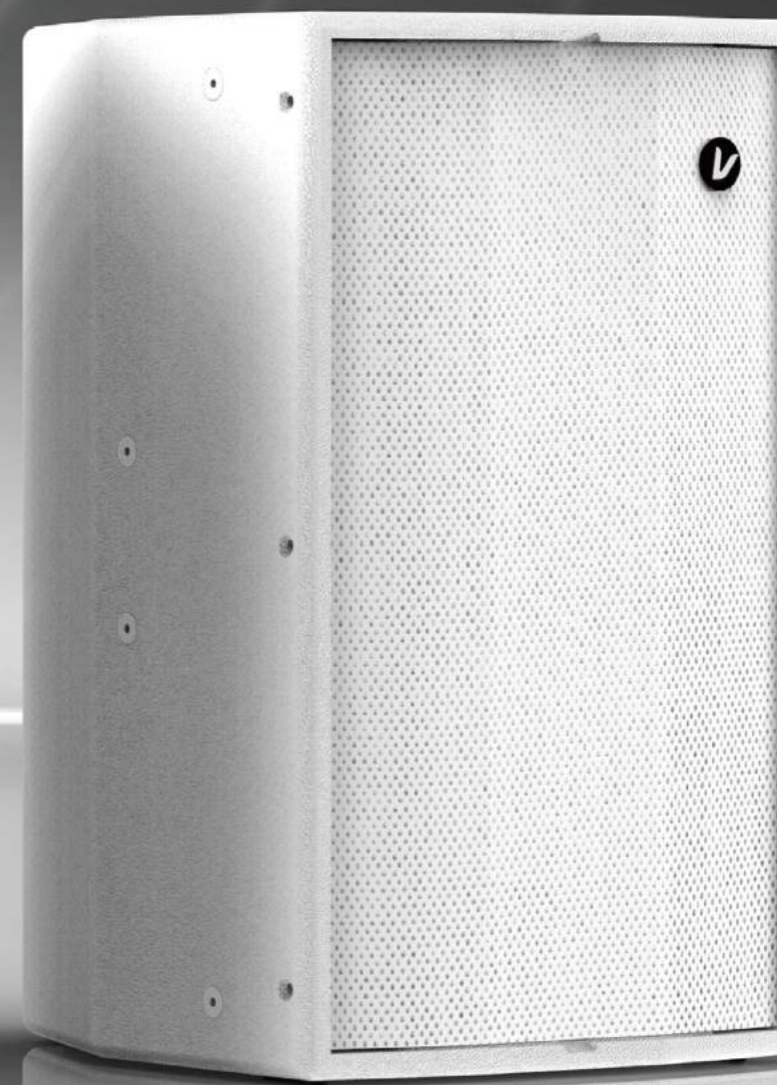
VOICEc series



VOICE12c



VOICE15c



VOICE19c





VOICEc series is special design for reinforcement of KTV and entertainment applications.

The tune is a biological tissue sound. Tune sounds with specific frequency response curve which is different from other musical instruments. And VOICEc series is a frequent speaker for this specific frequency response curve and optimization development.

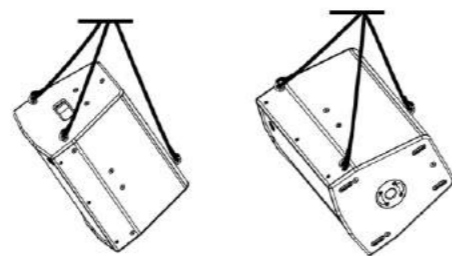
The development products for KTV, VOICEc series can delicately restore each frequency's voice of tune, loud and gentle, not harsh. In addition, VOICEc series has BOOST (Voice enhancement mode) mode and FLAT (Normal mode) mode for your selection.

The whole box has 20 M8 hanging points for convenient hanging using for different scenarios. Also you can choose different levels of vertical radiation angle according to your need because of high frequency horn rotation design.

## Install & application

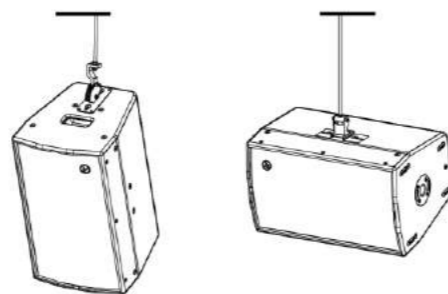
### Install speaker with flying ring

Through the holes, with rings, can safely and stably adjust the angle you need.



### Install speaker with bracket

Through the holes, with hanging accessories, can safely and stably adjust the angle you need.



## VOICE10c specifications

### Acoustics

Power	250W (AES)
Program power	500W
Nominal impedance	8 ohm
Frequency response	50~18kHz(-10dB)
Sensitivity	96dB/W/m
Maximum SPL	> 127dB
Horizon	80°
Vertical	50°
LF driver	1X10" Custom made European driver
Voice coil	2"
HF driver	Custom made European driver
Voice coil	1.73"

### Connector

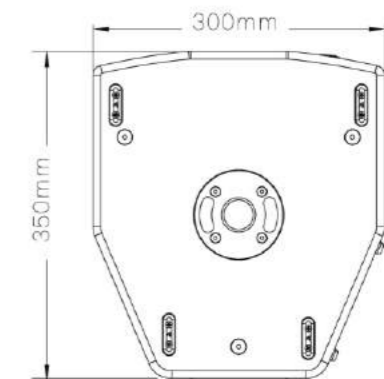
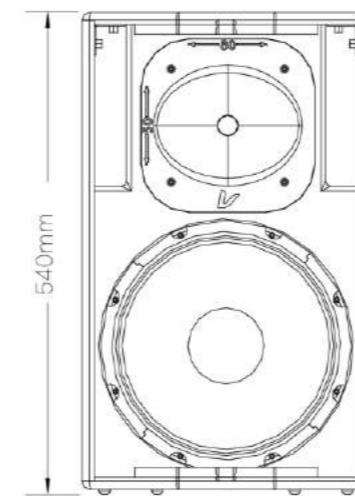
2只 NEUTRIK® NL4MP(1+/1-Link,2+/2-Input&Link)

### Cabinet

CNC made 15mm birch wood sandy wear-resisting environmental polyurea spray paint

### Hanging side frame

20xM8 flying points



Product Dimensions W300xH540xD350mm

## VOICE12c specifications

### Acoustics

Power	450W (AES)
Program power	900W
Nominal impedance	8 ohm
Frequency response	50~18kHz(-10dB)
Sensitivity	99dB/W/m
Maximum SPL	> 133dB
Horizon	80°
Vertical	50°
LF driver	1X12" Custom made European driver
Voice coil	3"
HF driver	Custom made European driver
Voice coil	1"

### Connector

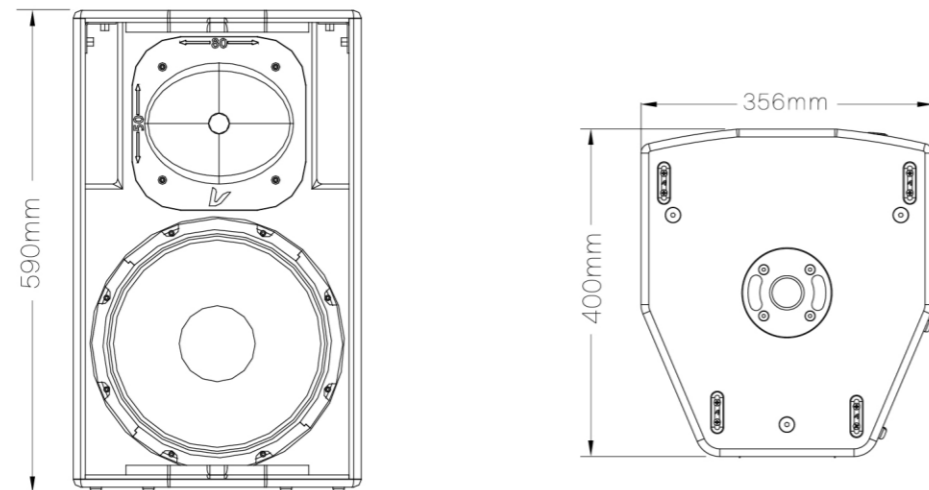
2只 NEUTRIK® NL4MP(1+/1-Link,2+/2-Input&Link)

### Cabinet

CNC made 15mm birch wood sandy wear-resisting environmental polyurea spray paint

### Hanging side frame

20xM8 flying points



N.W/G.W 17.5kg / 21.1kg

Product / Package Dimensions W356xH590xD400mm/ W500xH700xD465mm

## VOICE15c specifications

### Acoustics

Power	500W (AES)
Program power	1000W
Nominal impedance	8 ohm
Frequency response	42~19kHz(-10dB)
Sensitivity	99dB/W/m
Maximum SPL	> 133dB
Horizon	80°
Vertical	50°
LF driver	1X15" Custom made European driver
Voice coil	3"
HF driver	Custom made European driver
Voice coil	1.73"

### Connector

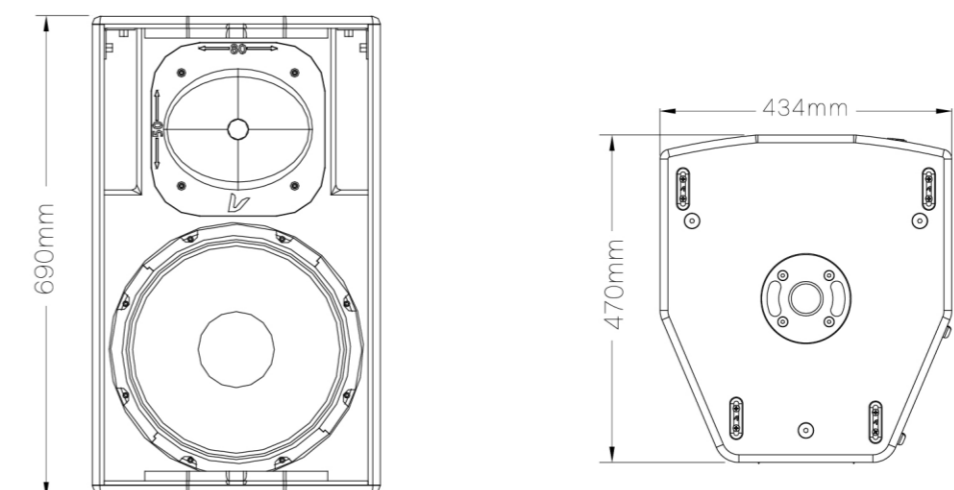
2只 NEUTRIK® NL4MP(1+/1-Link,2+/2-Input&Link)

### Cabinet

CNC made 18mm birch wood sandy wear-resisting environmental polyurea spray paint

### Hanging side frame

20xM8 flying points



Product Dimensions W434xH690xD470mm

SUB series

SUB218



SUB118



## 🔊 SUB218 specifications

### 🔊 Acoustics

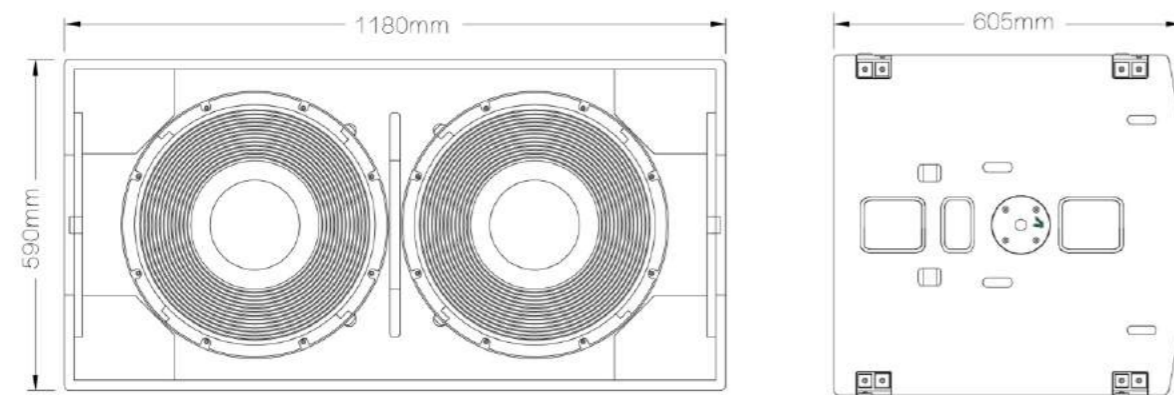
Power	2400W (AES)
Program power	4800W
Nominal impedance	4ohm
Frequency response	35~300Hz
Sensitivity	102dB/W/m(40~150Hz)
Maximum SPL	> 138dB
Driver	2X18" Custom made European driver
Voice coil	4"(52mm)

### 🔌 Connector

2只 NEUTRIK® NL4MP(1+/1-Link,2+/2-Input&Link)

### 📦 Cabinet

CNC made with tongue and groove assembly all made with 18mm birch plywood



N.W/G.W 86kg / 92kg

Product Dimensions W1180xH590xD605mm

## 🔊 SUB118 specifications

### 🔊 Acoustics

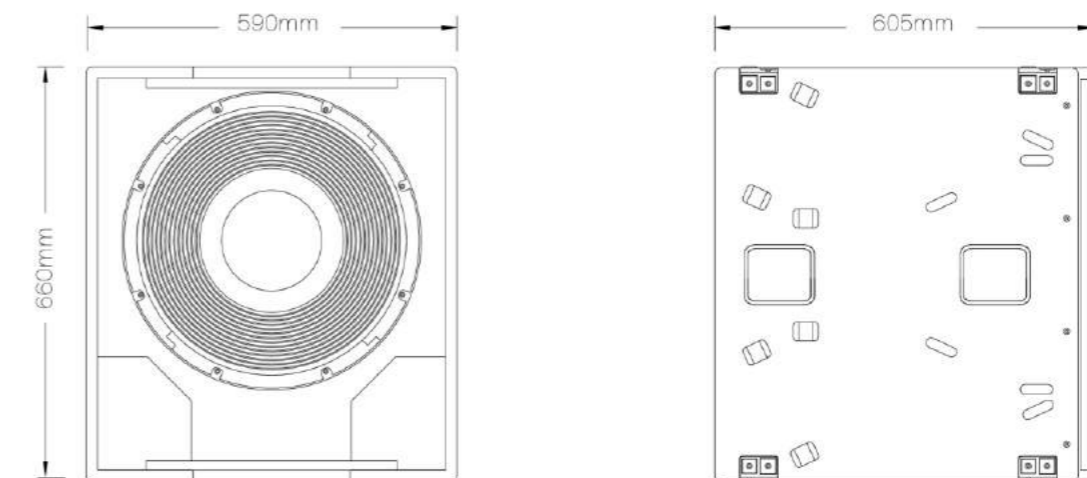
Power	1200W (AES)
Program power	2400W
Nominal impedance	8ohm
Frequency response	35~500Hz
Sensitivity	99dB/W/m(40~150Hz)
Maximum SPL	> 132dB
Driver	2X18" Custom made European driver
Voice coil	4"(52mm)

### 🔌 Connector

2只 NEUTRIK® NL4MP(1+/1-Link,2+/2-Input&Link)

### 📦 Cabinet

CNC made with tongue and groove assembly all made with 18mm birch plywood



N.W/G.W 49kg / 55kg

Product Dimensions W590xH660xD605mm

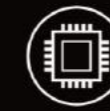
## V.2/.4 series Power amplifier

V series power amplifier is high-end power amplifier products, including V2.07, V2.13, V2.20, V4.25 are with SMPS power supply, while V2.08T is with toroidal transformer power supply.

These products are integrated the top science and technology of power amplifier field, the best quality components, assembly of the good craftwork, artistic tuning, plus matched with its speaker system optimization, so that you can choose the complete audio system according to your needs.



Voltage stabilized  
power supply



Customized devices



Ultra low phase THD



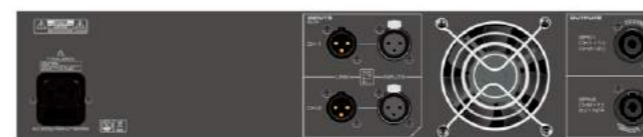
20Ω loading  
continuous stability



MODEL	V2.07	V2.13	V2.20	V2.08T	V4.25
Power ( 8ohm*)	700WX2	1300WX2	2000WX2	850WX2	1300WX4
( 4ohm*)	1200WX2	2200WX2	3500WX2	900WX2	2100WX4
( 2ohm*)	1600WX2	2800WX2	4400WX2	1200WX2	2500WX4
( 8ohm bridge*)	2400W	4600W	7000W		4200WX2
( 4ohm bridge*)	3200W	5600W	8800W		5000WX2
Frequency response	20Hz~20KHz(+0/-1.5dB)	20Hz~20KHz(+0/-1.5dB)	20Hz~20KHz(+0/-1.5dB)	20Hz~20KHz(+0/-1.5dB)	20Hz~20KHz(+0/-1.5dB)
THD+N	<0.02%	<0.02%	<0.05%	<0.05%	<0.05%
S/N rate	>95dB	>95dB	>95dB	≥85dB	>80dB
Damping factor	>280	>280	>280	>200	>800(100Hz)
Crosstalk	>70dB	>70dB	>70dB		>65dB
Slew rate	>16V/μs	>16V/μs	>30V/μs	>10V/μs	>10V/μs
input sensitivity	32dB/1v/0.775v	32dB/1v/0.775v	32dB/1v/0.775v	0.775v	26dB/32dB/38dB/0.775v/1v/1.4v
	20kohm /10kohm	20kohm /10kohm	20kohm /10kohm	20kohm /10kohm	20kohm /10kohm
Voltage gain(8ohm )	39.7dB	42.4dB	44.2dB	40.2dB	42.3dB
output circuitry	Class I™	Class I™	Class I™	Class I™	Class I™
Cooling	Air flow from front to rear	Air flow from front to rear	Air flow from front to rear	Air flow from front to rear	Air flow from front to rear
Input	NEUTRIK® XLR-F	NEUTRIK® XLR-F	NEUTRIK® XLR-F	NEUTRIK® XLR-F	NEUTRIK® XLR-F
Output	NEUTRIK® Speakon NL4	NEUTRIK® Speakon NL4	NEUTRIK® Speakon NL4	NEUTRIK® Speakon NL4	NEUTRIK® Speakon NL4
Front panel indicator	ON/SIG/CLIP/TROT Protect indicator	ON/SIG/CLIP/TROT Protect indicator	ON/SIG/CLIP/TROT Protect indicator	ON/SIG/Limit/CLIP/TROT Protect indicator	ON/SIG/CLIP/TROT Protect indicator
Front panel	Power switch/Volume control	Power switch/Volume control	Power switch/Volume control	Power switch/Volume control	Power switch/Volume control
Rear panel	Operation mode	Operation mode	Operation mode	Operation mode	Operation mode
Product dimensions(mm)	483X412X89	483X412X89	483X412X89	483X254X89	483X412X89
Product dimensions(mm)	595X565X170	595X565X170	595X565X170	560X420X170	595X565X170
G.W.	14.3kg	14.8kg	15.2kg	14.1kg	15.6kg
Power	AC 110v~120/60Hz, ±10% or AC 200v~240v/50Hz, ±10%	AC 110v~120/60Hz, ±10% or AC 200v~240v/50Hz, ±10%	AC 110v~120/60Hz, ±10% or AC 200v~240v/50Hz, ±10%	AC 110v~120/60Hz, ±10% or AC 200v~240v/50Hz, ±10%	AC 220v~260v/60Hz,50Hz, ±10%



V2.07、V2.13、V2.20 rear panel



V2.08T rear panel



V4.25 rear panel

Remark: 1、\*,The power is tested under the condition of 40ms burst, 1KHz sine wave and 1% THD.  
 2、\*\*,The power is tested under the condition of 20ms burst, 1KHz sine wave and 1% THD.  
 3、The final specification is subject to the user manual.